

WWW.PYLEAUDIO.COM



PWMA100

**WIRELESS RECHARGEABLE
PORTABLE AMPLIFIER**



USER'S MANUAL

FEATURES

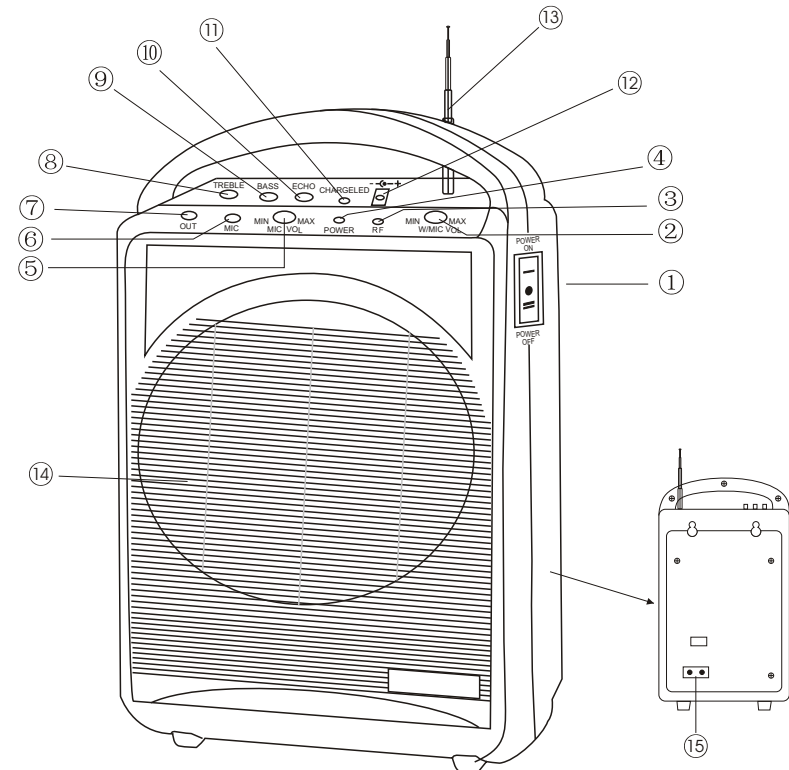
- * Built-in 12V 1.2A Rechargeable Battery
- * Built-in One Channel VHF Wireless Receiver
- * With One Handheld MIC
- * With One Wired MIC Input Jack
- * Separate Wired MIC and Wireless MIC Volume Controls
- * With REC out Jack
- * With Treble, Bass and Echo Controls
- * With Power, RF and Charge LED Indicators
- * Power Supply: AC 120V/60HZ, DC12~15V
- * Power output: 20W
- * Frequency Range: 160~270MHz
- * Operating Range: Up to 100ft.

CAUTIONS

1. Keep this device away from high temperature. Don't expose this device to direct sunshine or near the hot equipment.
2. Don't place the device in the environment of humidity and dirt.
3. Place the device in the ventilated environment.
4. Don't pull the power cord while unplug the device. Please hold the plug to unplug.
5. Unplug the device from mains power supply if you will not use the device for a long time.
6. Your operation must be subjected to the specified voltage marked on the device and complied with this manual.
7. Don't open chassis! It is very dangerous either open the chassis or put your hand inside the chassis. If the device is not working properly, unplug the device at once and contact your retailer or the nearest distributor.

PARTS DESCRIPTION

- | | |
|-----------------------------|-------------------------|
| 1. Power switch | 9. Bass control |
| 2. Wireless volume control | 10. ECHO control |
| 3. RF indicator | 11. Charge indicator |
| 4. Power indicator | 12. DC input jack |
| 5. Wired MIC volume control | 13. Retractable antenna |
| 6. Wired MIC input jack | 14. Speaker |
| 7. Recording output jack | 15. AC IN jack |
| 8. Treble control | |



OPERATION

1. POWER SUPPLY

- a. AC power: Please confirm your current AC power is same as the voltage marked on the device.
 - b. DC power: DC power can be input from DC IN jack. If you use car battery, the power should be 12V-15V. Please note the correct polarity.
 - c. Built-in rechargeable battery: you can also use built-in rechargeable battery.
2. Turn on power switch of amplifier, power indicator will light.
 3. Open the battery cover of the transmitter. Put a 9V battery into battery compartment and then close the battery cover. Keep transmitter at least 1M from the receiver to prevent feedback. Turn on transmitter, RF indicator on receiver will light. Adjust wireless microphone volume to suitable level. The wireless system is now ready to use.
 4. Wired MIC can connect to MIC in jack and its volume can be adjusted separately. Wire microphone and wireless microphone can be used at the same time.
 5. Adjust TREBLE/BASS to suitable level. When feed-back comes from amplifier, please reduce TREBLE. If feedback still exists, reduce the volume slightly.
 6. REC OUT can connect to recorder player or external amplifier.

OPERATION

Recharging:

1. Connect amplifier to AC power, charge indicator will light. The unit starts to charge rechargeable battery. DC power can not charge the battery.
2. During charging you can use the unit at the same time.
3. When using rechargeable battery, if the unit stops producing sound, this means the rechargeable battery power is low. Connect AC power to charge the battery. Charging time is about 8~10 hours.
4. Please charge this device every 2 months if you don't use the device for a long period of time.
5. Unplug th unit from mains power supply if you are not going to use this device for a long time or after charging.

TROUBLESHOOTING

PROBLEM	SOLUTION
RF indicator does not light	<ol style="list-style-type: none"> 1. Push the power switch to "ON" 2. Replace a new battery for transmitter. 3. Please check the frequency of transmitter. Make sure transmitter frequency is same as main unit.
RF indicator flashes	<ol style="list-style-type: none"> 1. Rechargeable battery power is low. Please plug in AC power to charge the battery. 2. Transmitter battery power is low. Please replace new battery.
A howling noise is heard from speaker	Reduce microphone volume or move the microphone away from the speaker. Keep microphone 1.5-3M from receiver unit.
The charge indicator does not light	<ol style="list-style-type: none"> 1. Rechargeable battery may be destroyed. Please replace a new one. (Contact your dealer or professionals for battery replacement) 2. Check the AC power connection.
No sound	<ol style="list-style-type: none"> 1. Check the transmitter power switch is "ON" 2. Check the W/M volume control or MIC volume is on.

SPECIFICATIONS

AMPLIFIER

Output power:	20W(MAX)
Frequency Range:	160-270MHz
S/N:	60dB
Power supply:	AC 120V 60Hz DC 12V-15V
Output Impedance:	600 Ω
Effective Distance:	30M

TRANSMITTER

Frequency Range:	160-270MHz
Dynamic Range:	80dB
Frequency Response:	100-10KHz
Working Temperature:	-10°C -45°C
Power supply:	9V battery
Battery life:	8-10 hours